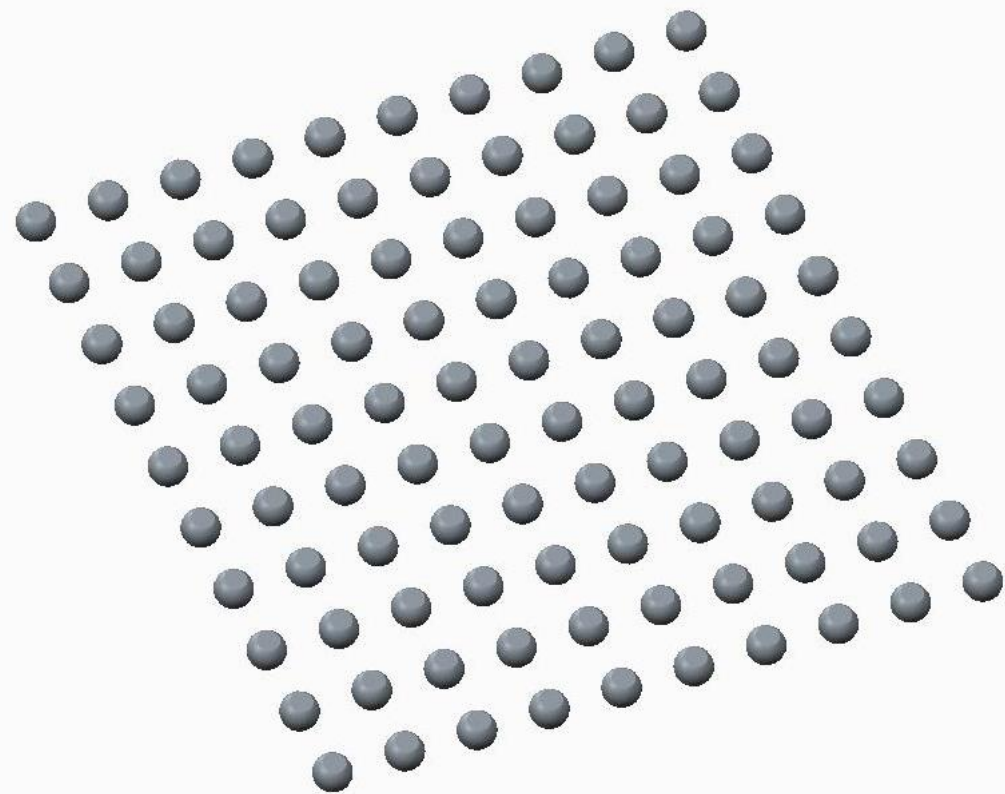
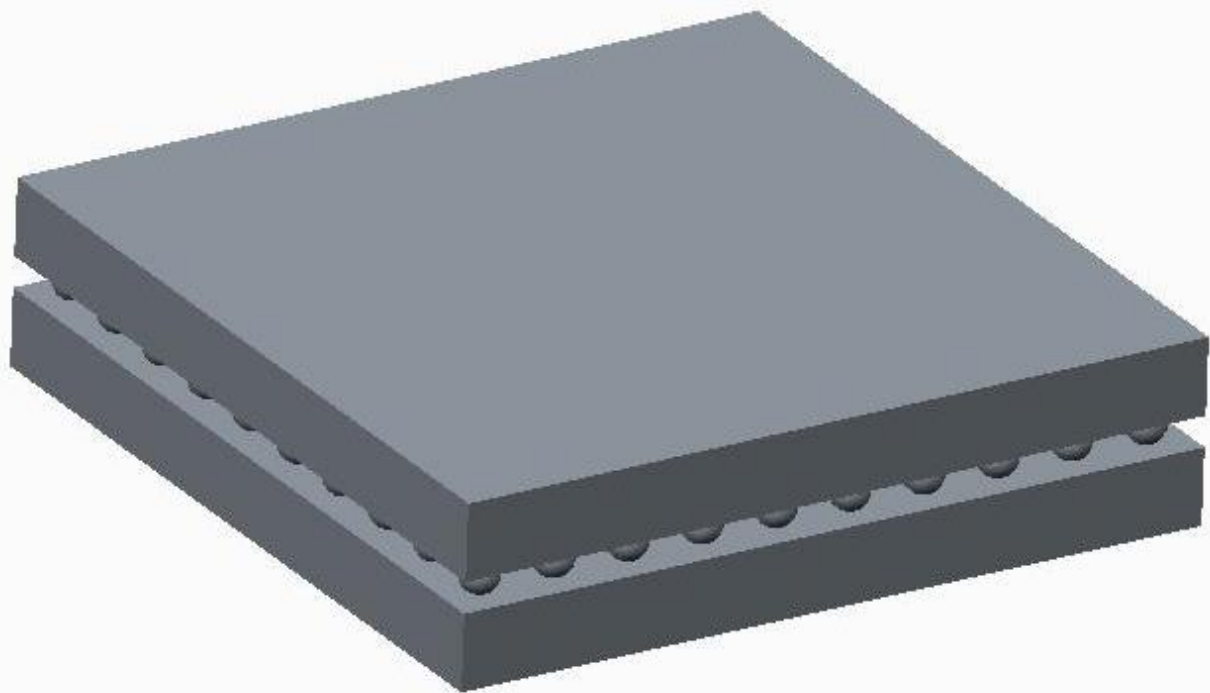


# Lab 04

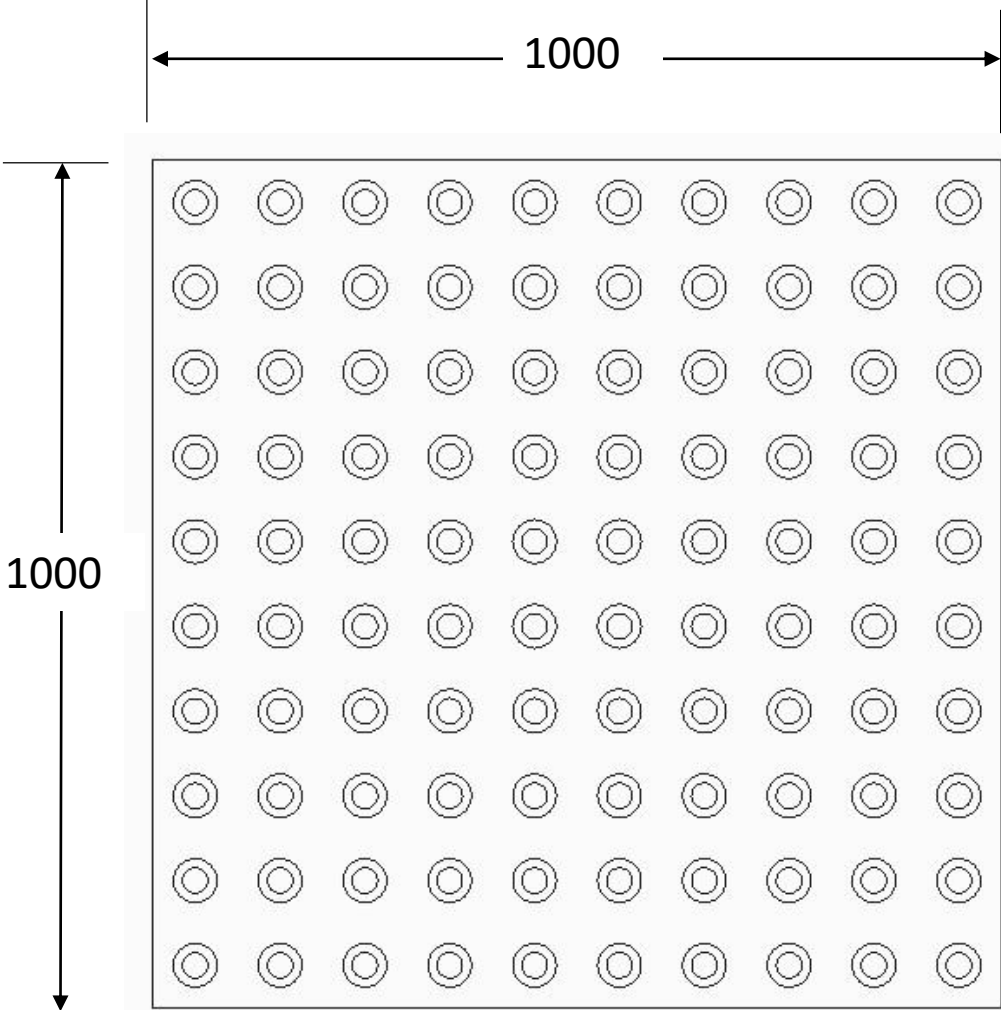
Advanced Tools: Pattern and Mirror

Dr. Mohammad A Gharaibeh

# Mirror and Pattern Modeling

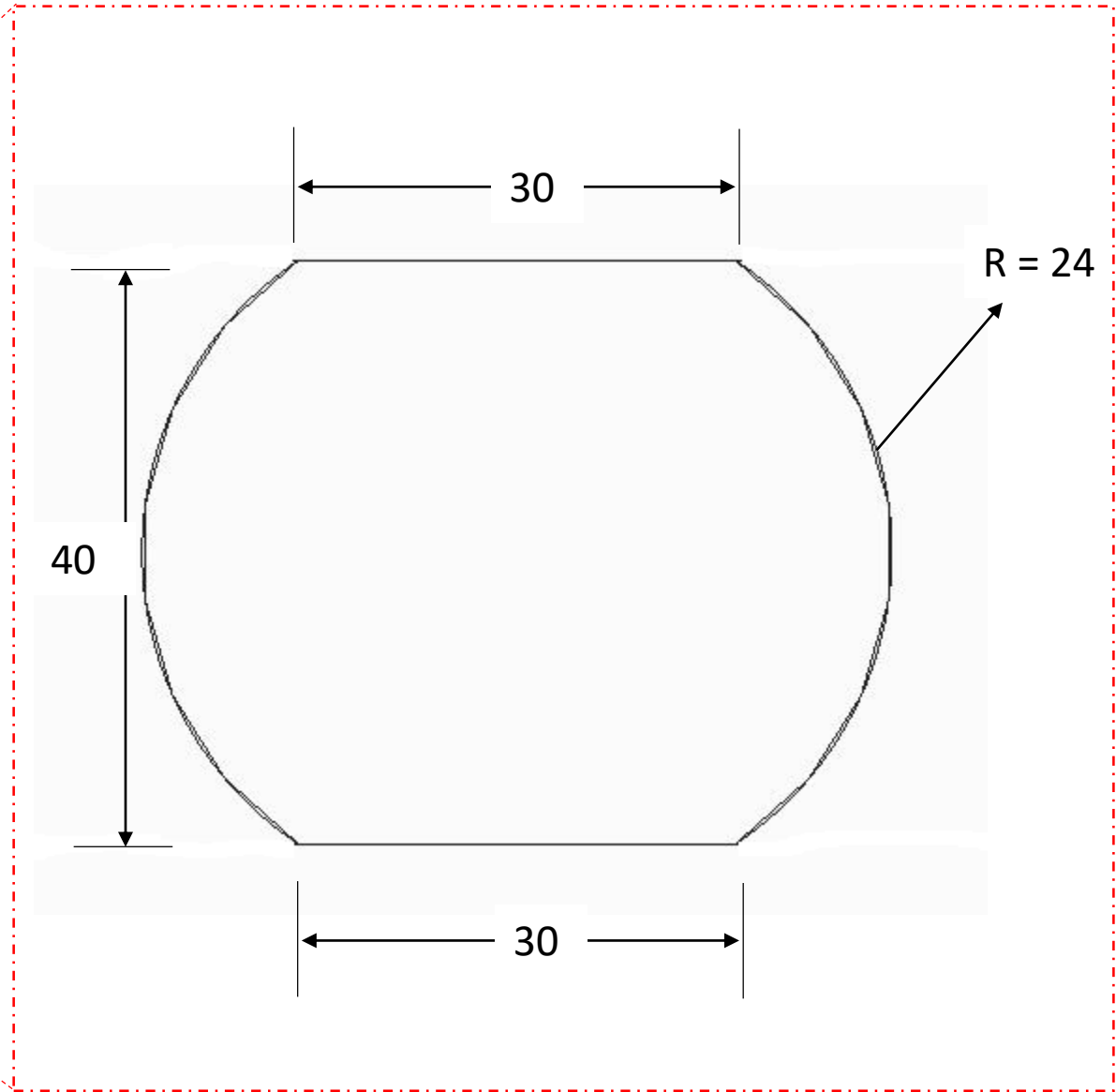
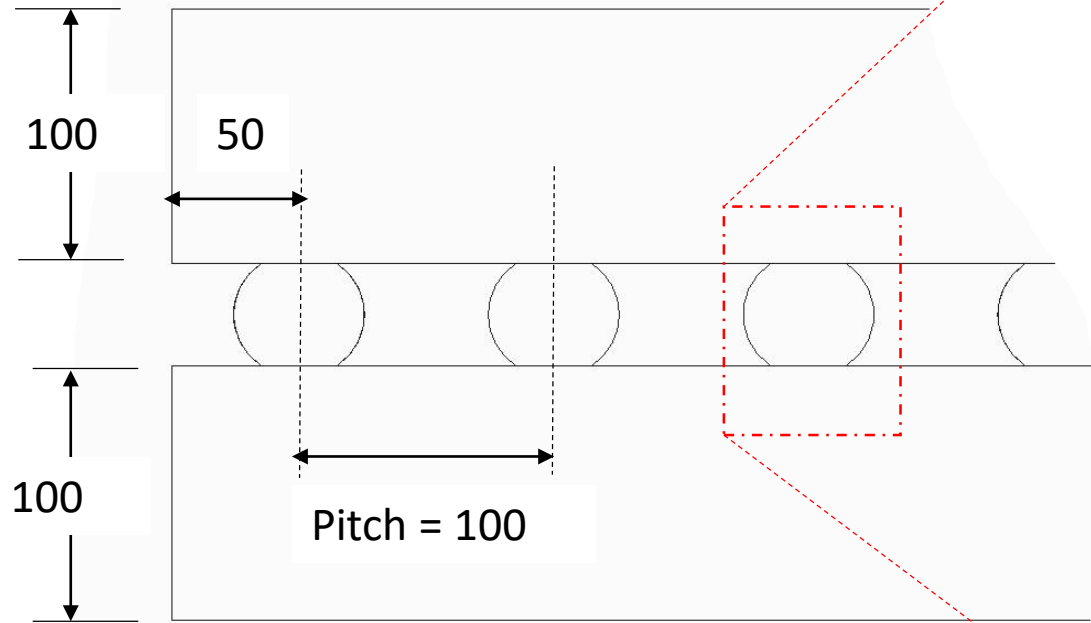


# Top View



10 x 10 Array

# Front and Side Views



# Homework

- Use Pattern Command tool to draw this engineering part.

