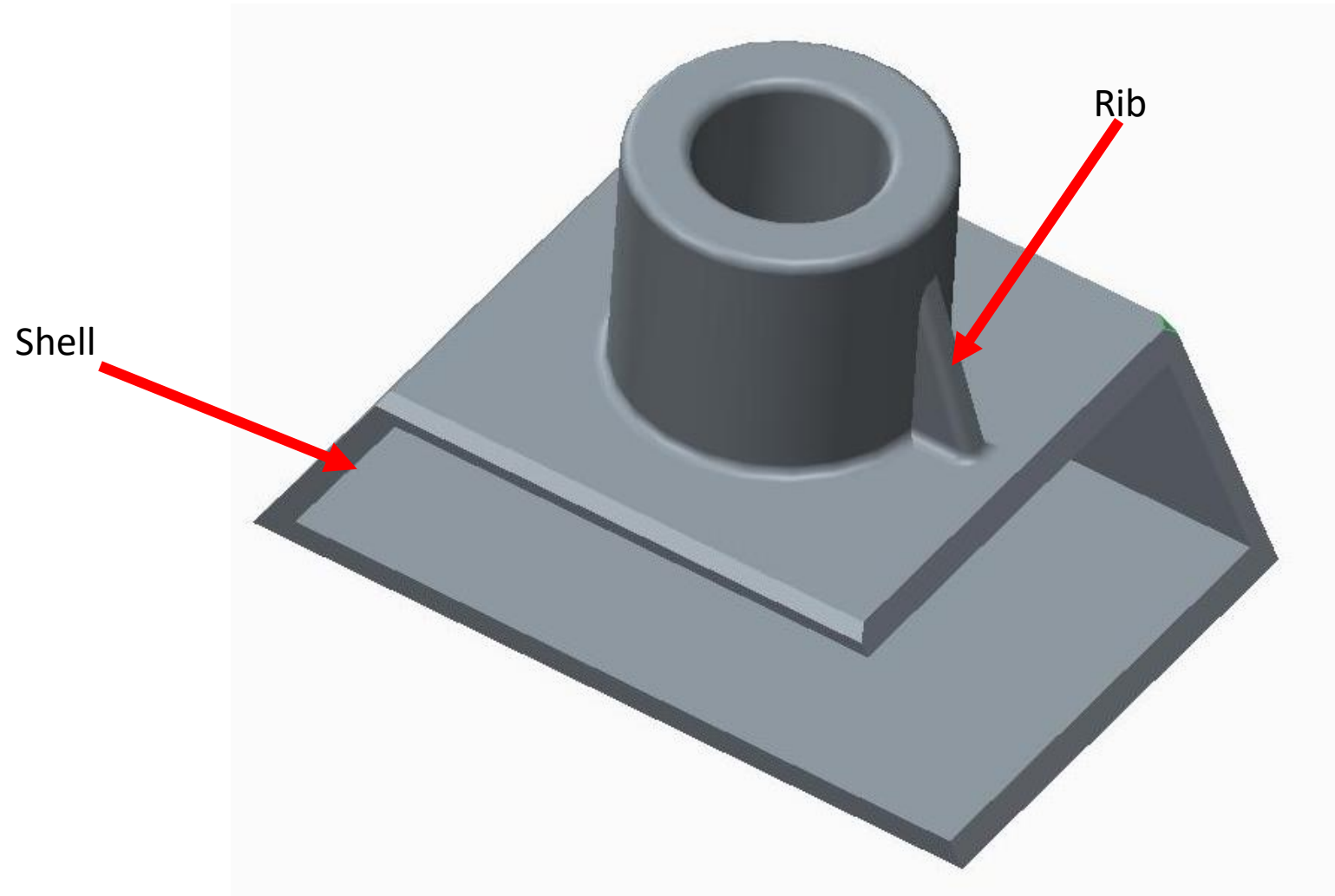


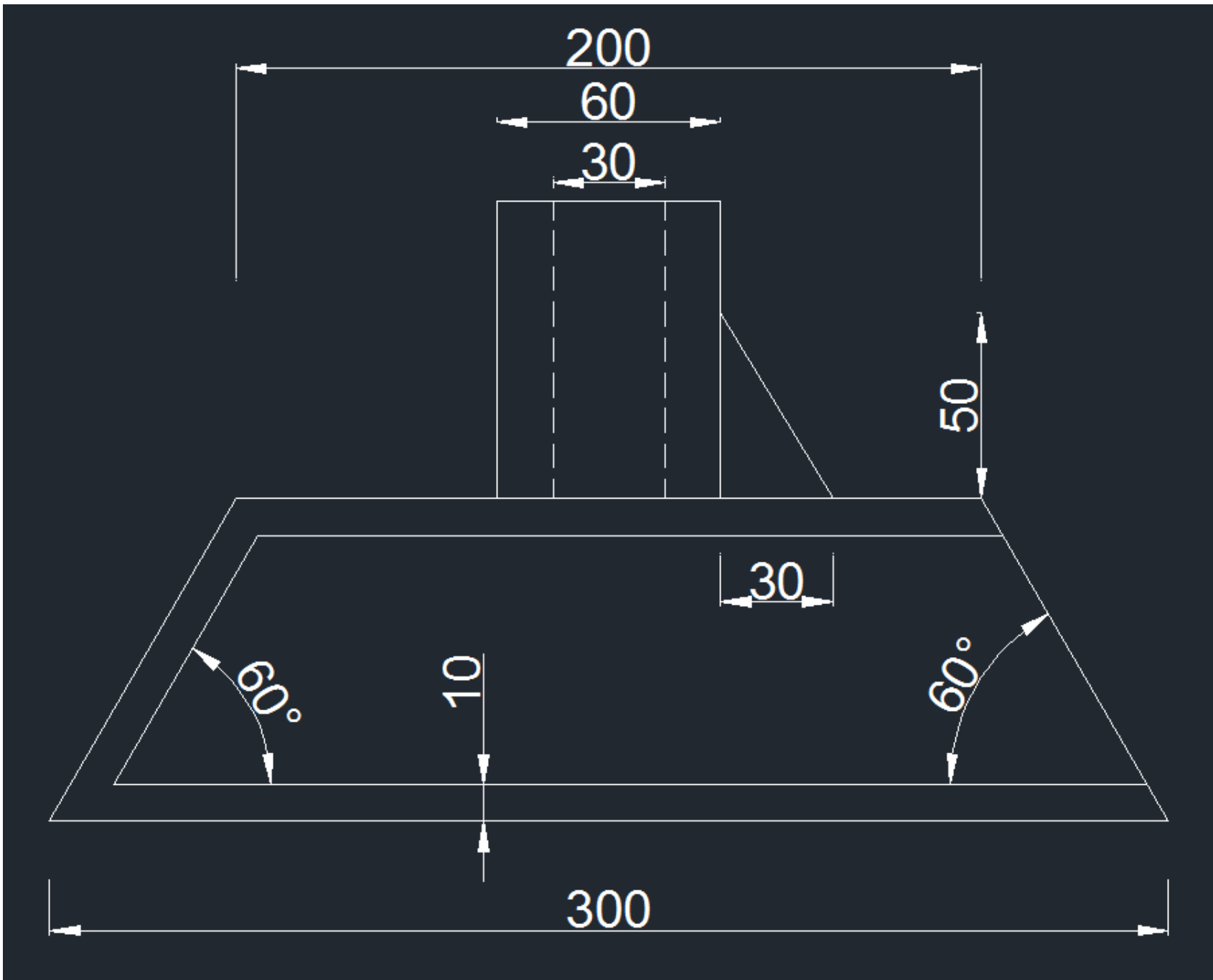
# Lab 03

Complex Parts: Shells and Ribs

Dr. Mohammad A Gharaibeh

# 3D Modeling with complex parts





Depth = 200  
Rip thickness = 20

# Homework

- Create the following part using CREO software and the presented dimensions
- Your revolve should be at 360 degrees

