



The Hashemite University  
Faculty of Engineering  
Department of Mechanical Engineering  
Mechanical Drawing (110402445)  
Midterm Exam Spring 2020/2021

Name:

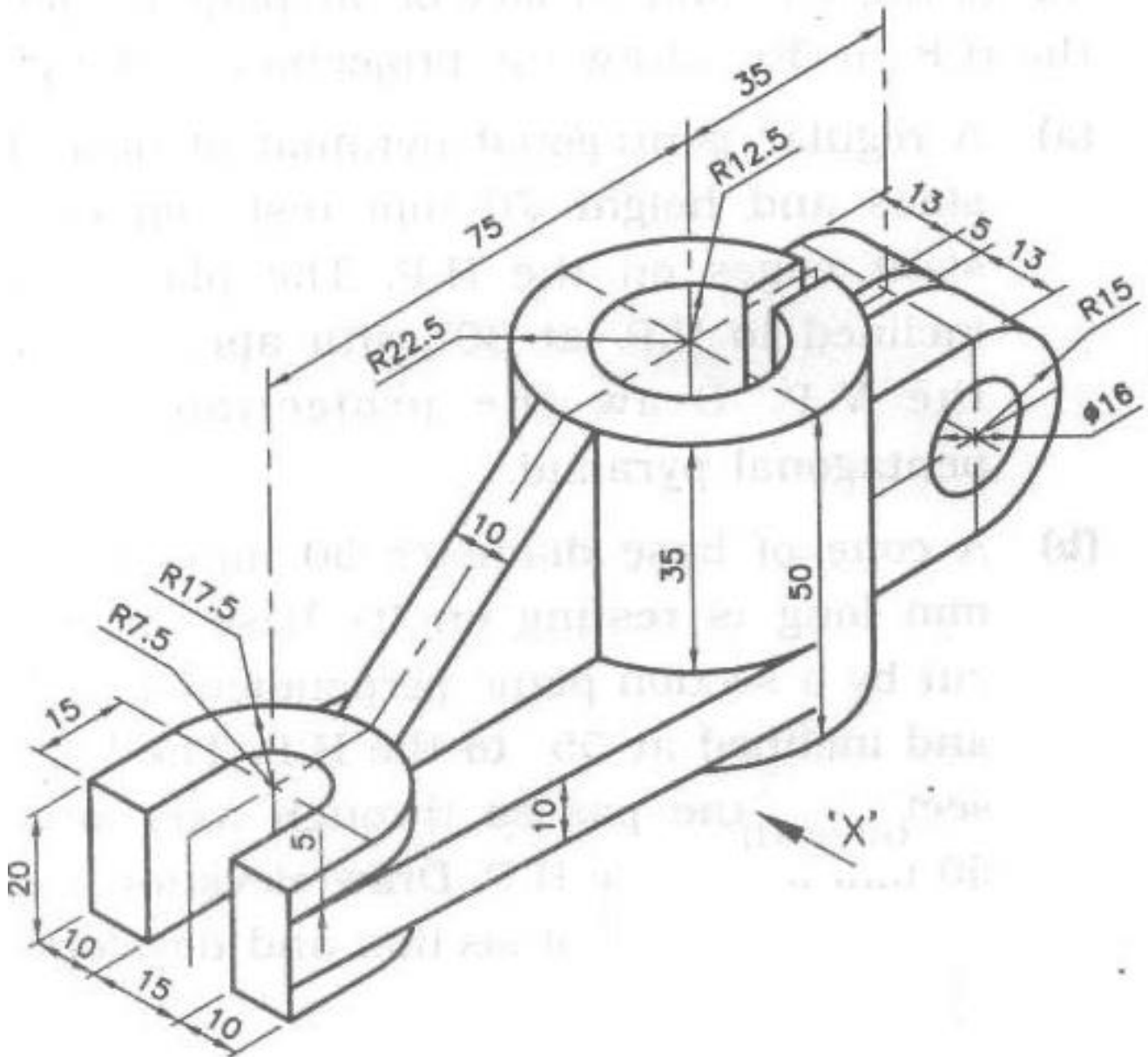
ID#:

Time: 60 min.

**Instructions:**

1. The exam is **one** hour with **Two** Problems and it is out of 30.
2. Follow the previous exam instructions in saving your files and regarding file name.
3. All dimensions are in *mm*.
4. Send me your files on my emails ([mohammada\\_fa@hu.edu.jo](mailto:mohammada_fa@hu.edu.jo)).

**Problem One:** (22 Points) Create a CREO solid model of the part shown below.



**Problem Two:** (8 Points) Using Pattern CREO Commands, create a CREO solid model of the part shown below.

