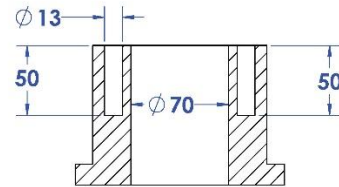
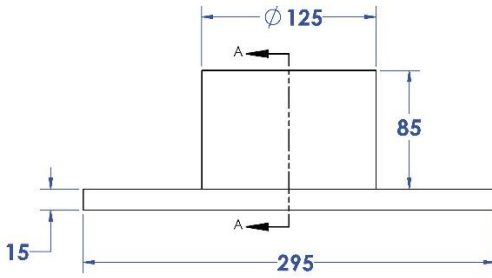
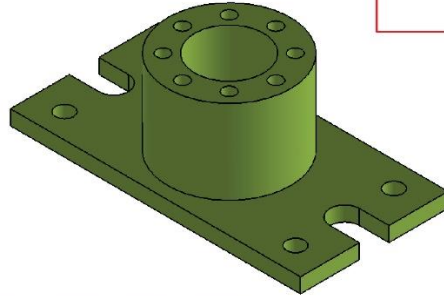
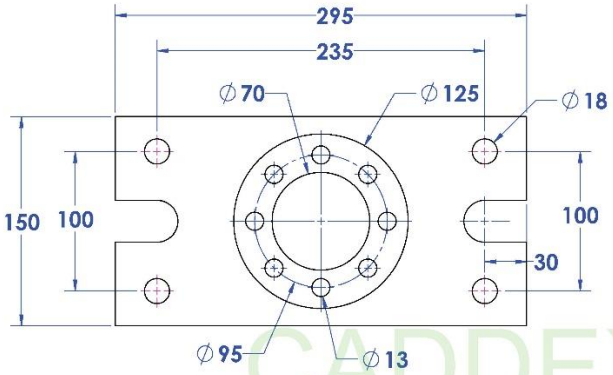


Problem Two: (8 Points) Using **Mirror & Pattern CREO Commands**, create a CREO solid model of the part shown below.

CADDEPERT.COM

143



SECTION A-A
SCALE 1 : 2.4

CADDEPERT.COM