

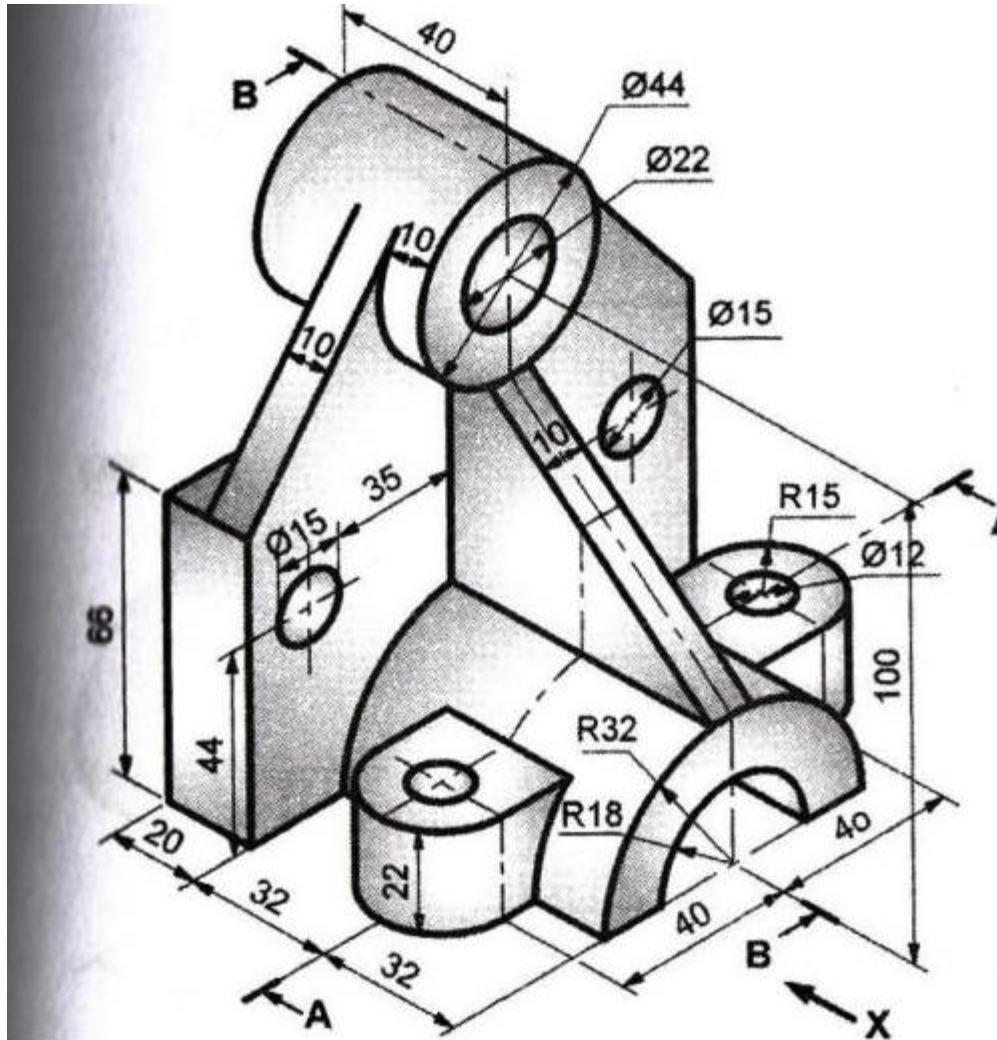


Name:..... ID:..... Section:.....

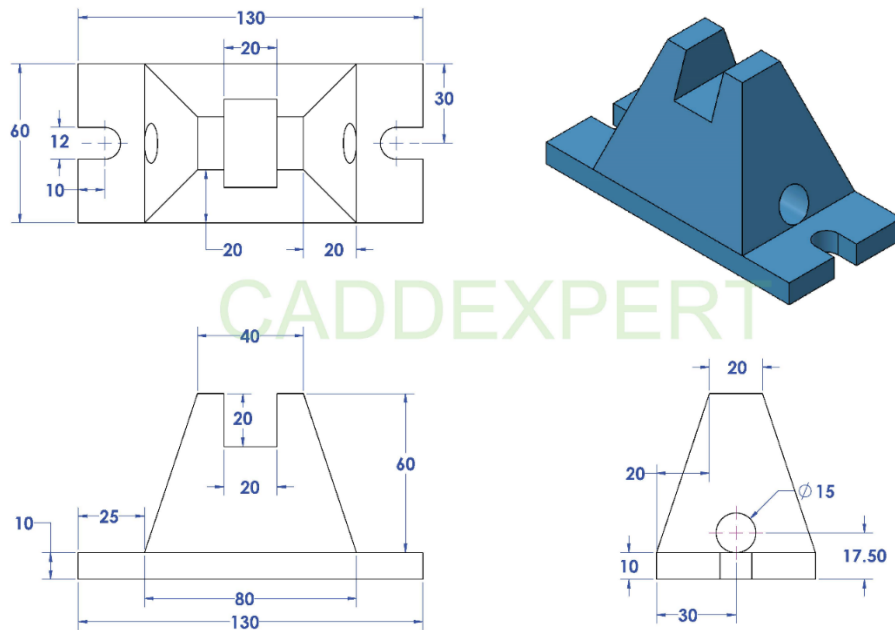
Instructions:

1. The exam is **Two** hours with **FOUR** Problems, and it is out of 40.
2. Please use the specified commands in each problem in your work. Otherwise, **severe** point deduction is expected.
3. Please save each part (question) separately.
4. All dimensions are in **mm**. If any dimension is missing or not clear, assume a logical one and keep going.
5. Send me your files on my emails (mohammada_fa@hu.edu.jo). Absolutely **NO CHEATING!**

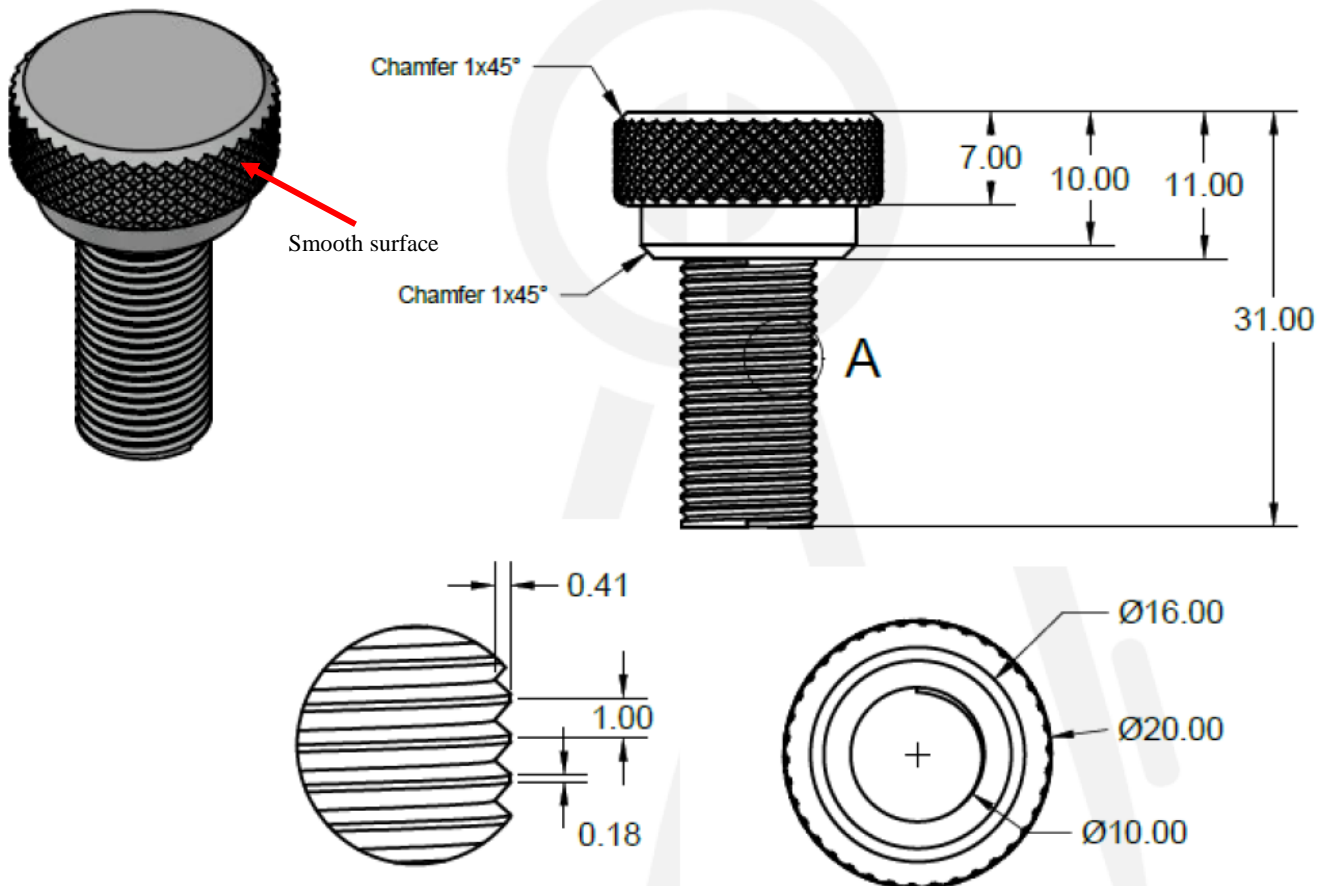
Problem One: (10 Points) Using CREO Parametric **Rib, Extrude and Mirror** Commands, draw the following 3D part and save it as ProblemOne.prt.



Problem Two: (10 Points) Using CREO Parametric **Blend** Command, draw the following 3D part and save it as ProblemTwo.prt.



Problem Three: (7 Points) Using CREO Parametric **Helical Sweep** Command, draw the following 3D part and save it as ProblemThree.prt. **Note:** Assume the bolt head surface is smooth and have no pitting.



Problem Four: (13 Points) Using CREO Parametric SWEEP Command, draw the following 3D part and save it as ProblemFour.prt.

