

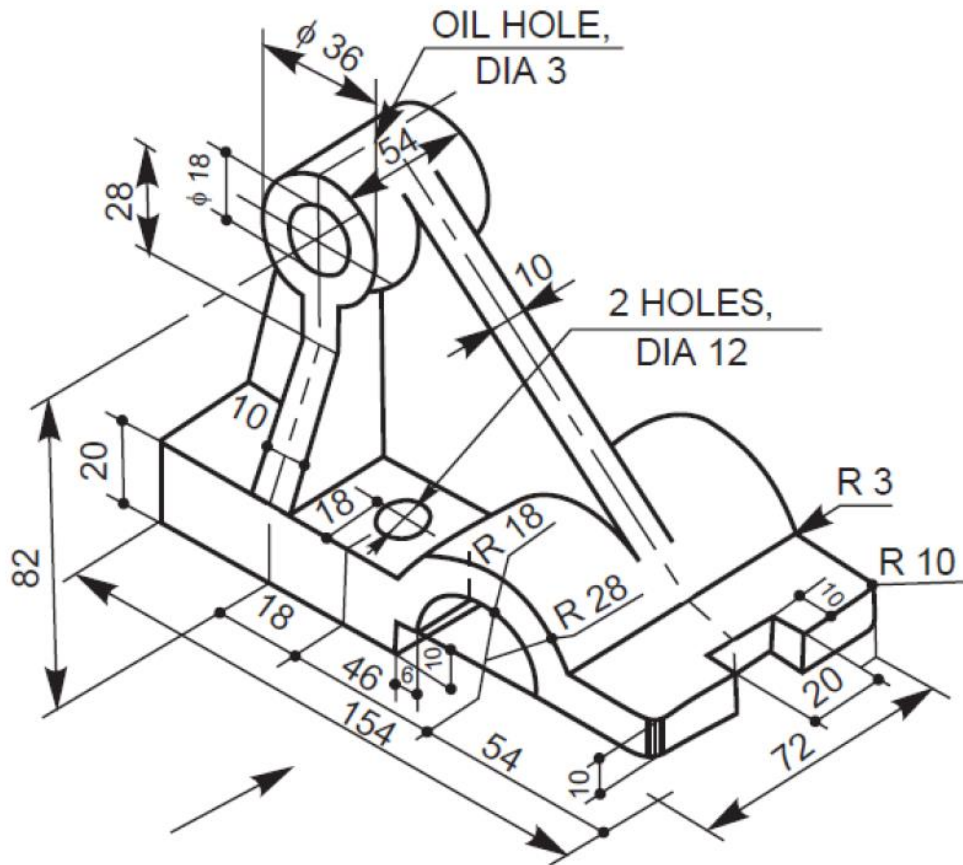


Name:..... ID:..... Section:.....

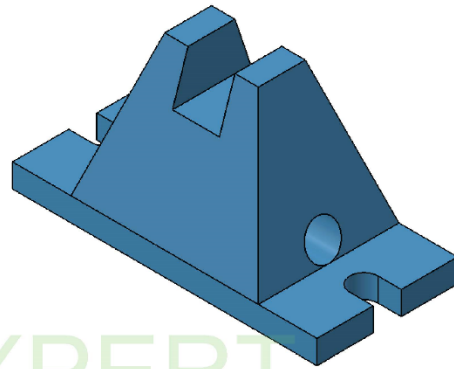
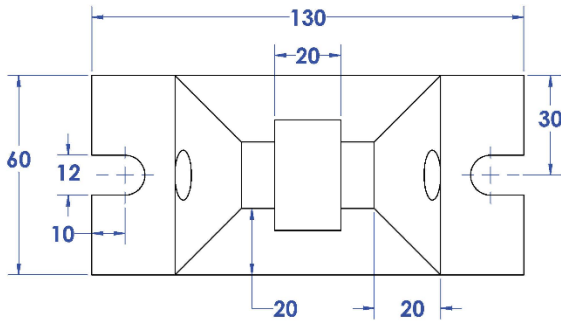
Instructions:

1. The exam is **Two** hours with **FOUR** Problems and it is out of 40.
2. Please save each part (question) separately.
3. All dimensions are in *mm*.
4. Send me your files on my emails (mohammada_fa@hu.edu.jo).

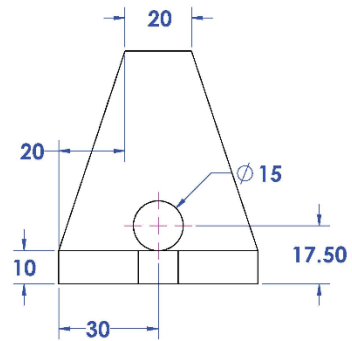
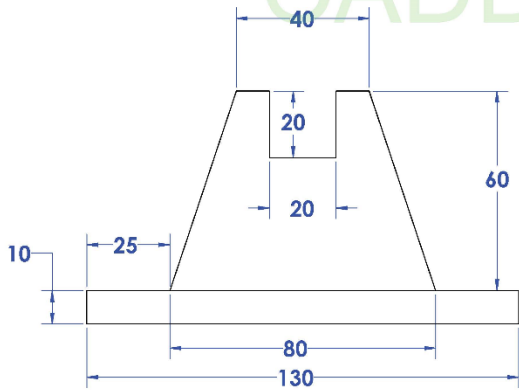
Problem One: (10 Points) Using CREO Parametric Commands, draw the following 3D part and save it as ProblemOne.prt.



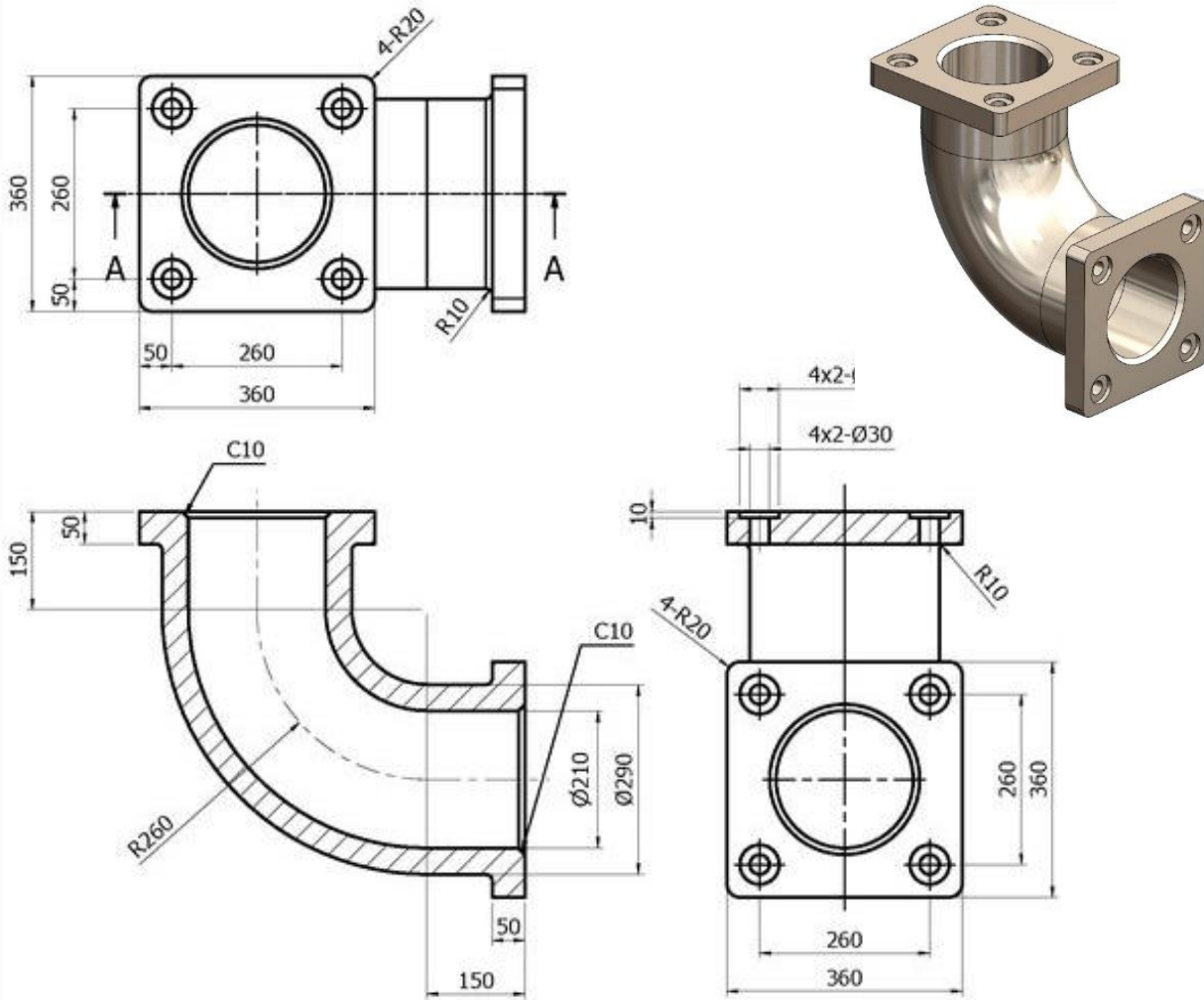
Problem Two: (10 Points) Using CREO Parametric **Blend** Command, draw the following 3D part and save it as ProblemTwo.prt.



CADDEXPERT



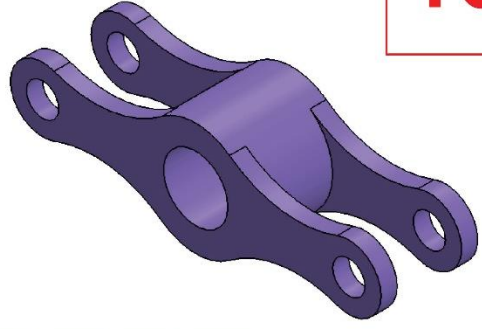
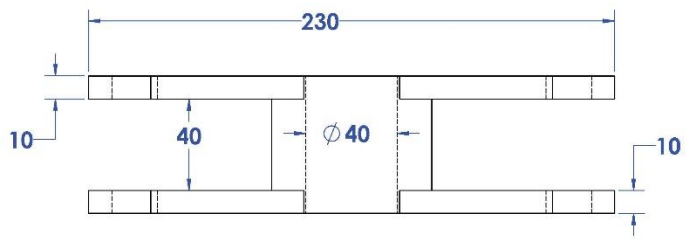
Problem Three: (15 Points) Using CREO Parametric **SWEEP** Command, draw the following 3D part and save it as ProblemThree.prt.



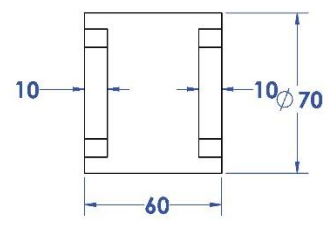
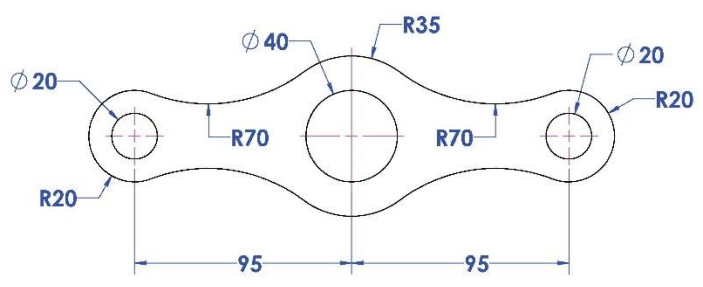
Problem Four: (5 Points) Using CREO Parametric **Mirror** Command, draw the following 3D part and save it as ProblemFour.prt.

CADDEPERT.COM

164



CADDEPERT



CADDEPERT.COM